

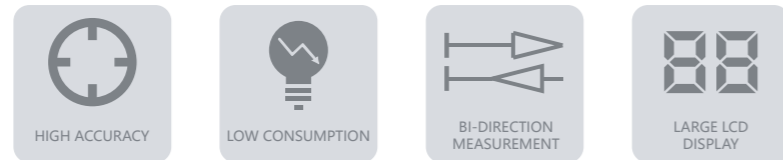
Smart Meter



Function

- LCD Display
- Bi-Direction Measurement
- 35mm DIN-Rail

Features



Certification

MID RoHS



DDSU666 Single Phase Smart Meter

SPECIFICATIONS



Current

- 5(80)A

Frequency

- 50Hz or 60Hz

LCD Display

- 6 characters of 7 segment display
- Digital size: 5.3mm x 2.8mm

Measurement

- Connection type: 1P2W
- Accuracy: Class 1.0 for active

Voltage

- Nominal voltage (Un): 220V, 230V, 240V
- Operating range: 0.85Un ~ 1.15Un
- Power consumption: ≤ 1W, 8VA

LED Indication

- Pulse Indication

Measured Values

- Total kWh
- Instantaneous kW, Vrms, Irms, frequency, power factor

Communications(Optional)

- RS485
- Protocol: Modbus-RTU

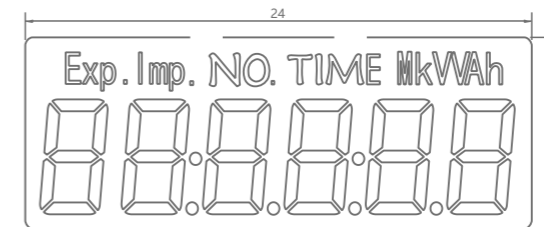
Environmental

- Working temperature range: -10° C to +45° C
- Limited temperature range: -25° C to +75° C
- Relative humidity(Annually average): ≤ 75%

Dimensions

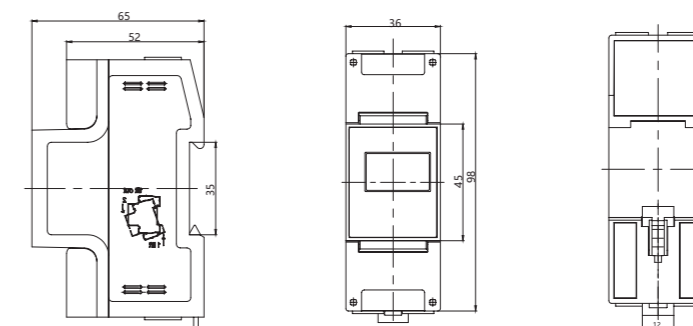
- Dimensions: 98mm x 65mm x 36mm

LCD INDICATION



Units: mm

METER DIMENSIONS



Units: mm

1.1

DDSU666 Single Phase Smart Meter

SPECIFICATIONS



Built-in relay

Measurement

- Connection type: 1P2W
- Accuracy: Class 1.0 for active

Voltage

- Nominal voltage (Un): 220V, 230V, 240V
- Operating range: 0.85Un ~ 1.15Un
- Power consumption: ≤ 1W, 8VA

Current

- 5(80)A

Frequency

- 50Hz or 60Hz

LCD Display

- 7 characters of 7 segment display
- Digital size: 5.3mm × 2.8mm

LED Indication

- Pulse Indication

Measured Values

- Total kWh
- Instantaneous kW, Vrms, Irms, frequency, power factor

Relay

- Internal relay
- One relay/80A

Communications

- RS485
- Protocol: Modbus-RTU

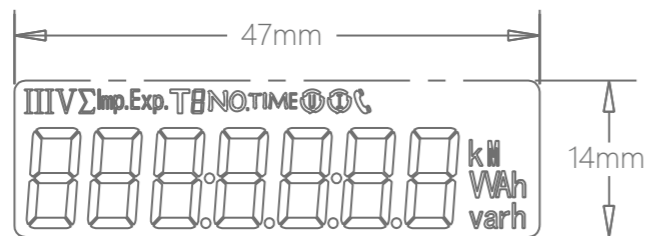
Environmental

- Working temperature range: -10° C to +45° C
- Limited temperature range: -25° C to +75° C
- Relative humidity(Annually average): ≤ 75%

Dimensions

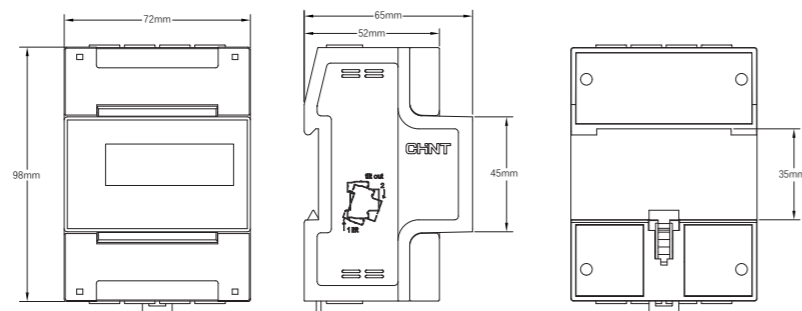
- Dimensions: 98mm × 65mm × 72mm

LCD INDICATION



Units: mm

METER DIMENSIONS



Units: mm

1.2

DTSU666 Three Phase Smart Meter

SPECIFICATIONS



Current

- 1.5(6)A
- 5(80)A

Frequency

- 50Hz or 60Hz

LCD Display

- 7 characters of 7 segment display
- Digital size: 5.3mm × 2.8mm

LED Indication

- Pulse Indication

Measured Values

- Total kWh, kvarh
- Instantaneous kW, kvar
- Instantaneous Irms, Vrms, frequency, power factor

Measurement

- Connection type: 3P4W
- Accuracy: Class 1.0 for active, Class 2.0 for reactive

Voltage

- Nominal voltage (Un): 3×120~138/208~240V, 3×220~240/380~415V
- Operating range: 0.85Un ~ 1.15Un
- Power consumption: ≤ 1W, 8VA

Communications(Optional)

- RS485
- Modbus-RTU

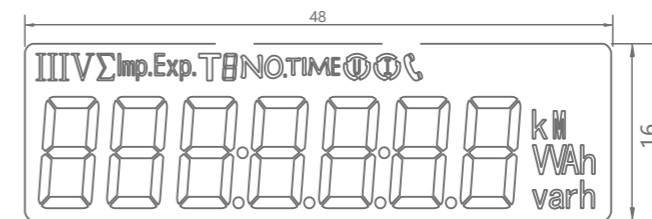
Environmental

- Working temperature range: -10° C to +45° C
- Limited temperature range: -25° C to +75° C
- Relative humidity(Annually average): ≤ 75%

Dimensions

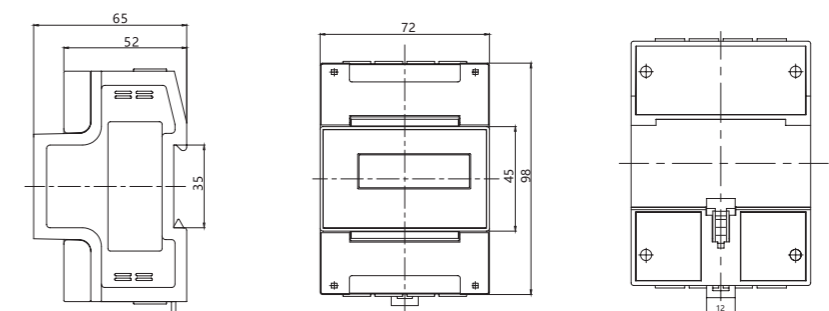
- Dimensions: 98mm × 65mm × 72mm

LCD INDICATION



Units: mm

METER DIMENSIONS



Units: mm

1.2

DTSU666 Three Phase Smart Meter

SPECIFICATIONS



Built-in relay

Measurement

- Connection type: 3P4W
- Accuracy: Class 1.0 for active, Class 2.0 for reactive

Voltage

- Nominal voltage (Un): 3×230/400V
- Operating range: 0.85Un ~ 1.15Un
- Power consumption: ≤ 1W, 8VA

Current

- 5(60)A

Frequency

- 50Hz or 60Hz

LCD Display

- 7 characters of 7 segment display
- Digital size: 5.3mm × 2.8mm

LED Indication

- Pulse Indication

Measured Values

- Total kWh, kvarh
- Instantaneous kW, kvar
- Instantaneous Irms, Vrms, frequency, power factor

Relay

- Internal relay
- Three relay/80A

Communications

- RS485
- Modbus-RTU

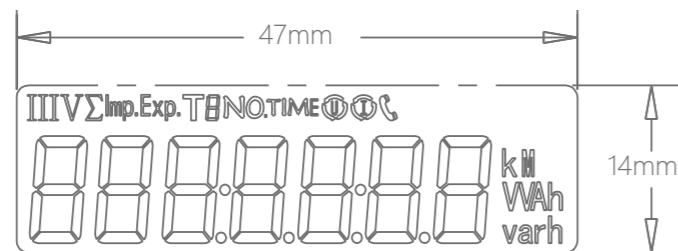
Environmental

- Working temperature range: -10° C to +45° C
- Limited temperature range: -25° C to +75° C
- Relative humidity(Annually average): ≤ 75%

Dimensions

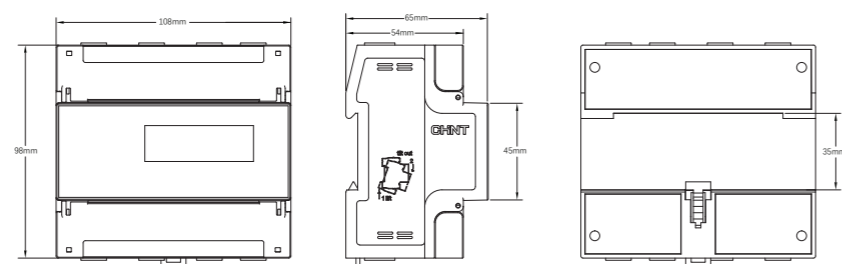
- Dimensions: 98mm × 65mm × 108mm

LCD INDICATION



Units: mm

METER DIMENSIONS



Units: mm

1.3

DSSU666 Three Phase Smart Meter

SPECIFICATIONS



Measurement

- Connection type: 3P3W
- Accuracy: Class 1.0 for active, Class 2.0 for reactive

Voltage

- Nominal voltage (Un): 3×400V
- Operating range: 0.85Un ~ 1.15Un
- Power consumption: ≤ 1W, 8VA

Current

- 1.5(6)A

Frequency

- 50Hz or 60Hz

LCD Display

- 7 characters of 7 segment display
- Digital size: 5.3mm × 2.8mm

LED Indication

- Pulse Indication

Measured Values

- Total kWh
- Total kvarh
- Instantaneous kW, kvar
- Instantaneous Irms, Vrms, frequency, power factor

Communications(Optional)

- RS485
- Modbus-RTU

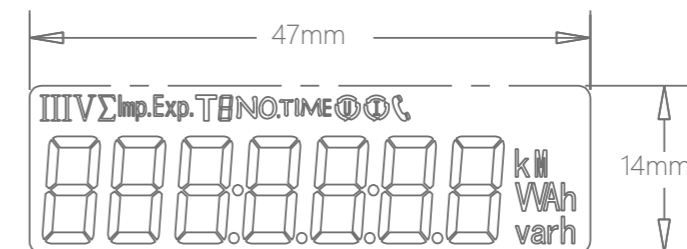
Environmental

- Working temperature range: -10° C to +45° C
- Limited temperature range: -25° C to +75° C
- Relative humidity(Annually average): ≤ 75%

Dimensions

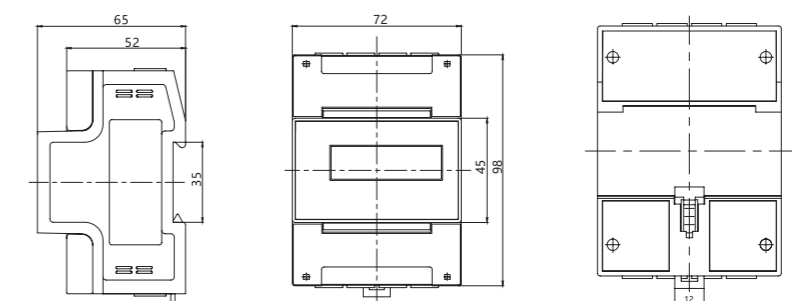
- Dimensions: 98mm × 65mm × 72mm

LCD INDICATION



Units: mm

METER DIMENSIONS



Units: mm

Smart Meter Selection Guide

NO.	Type	Meter Type	Connection	Voltage	Current	Frequency	Communication		Relay	Dimensions (L x W x H, mm)	Qty
							Interface	Protocol			
1	DDSU666	1P2W	DC	230/240V	5(80)A	50Hz/60Hz	/	/	/	2P: 98mm×36mm×65mm	
2	DDSU666	1P2W	DC	230/240V	5(80)A	50Hz/60Hz	RS485	Modbus-RTU	/	2P: 98mm×36mm×65mm	
3	DDSU666	1P2W	DC	230/240V	5(80)A	50Hz/60Hz	RS485	Modbus-RTU	●	4P: 98mm×72mm×65mm	
4	DSSU666	3P3W	CT	3×400V	1.5(6)A	50Hz/60Hz	/	/	/	4P: 98mm×72mm×65mm	
5	DSSU666	3P3W	CT	3×400V	1.5(6)A	50Hz/60Hz	RS485	Modbus-RTU		4P: 98mm×72mm×65mm	
6	DTSU666	3P4W	DC	3×230/400V	5(80)A	50Hz/60Hz	/	/	/	4P: 98mm×72mm×65mm	
7	DTSU666	3P4W	CT	3×230/400V	1.5(6)A	50Hz/60Hz	/	/	/	4P: 98mm×72mm×65mm	
8	DTSU666	3P4W	DC	3×230/400V	5(80)A	50Hz/60Hz	RS485	Modbus-RTU	/	4P: 98mm×72mm×65mm	
9	DTSU666	3P4W	CT	3×230/400V	1.5(6)A	50Hz/60Hz	RS485	Modbus-RTU	/	4P: 98mm×72mm×65mm	
10	DTSU666	3P4W	DC	3×120~138 /208~240V	5(80)A	50Hz/60Hz	/	/	/	4P: 98mm×72mm×65mm	
11	DTSU666	3P4W	CT	3×120~138 /208~240V	1.5(6)A	50Hz/60Hz	/	/	/	4P: 98mm×72mm×65mm	
12	DTSU666	3P4W	DC	3×230/400V	5(60)A	50Hz/60Hz	RS485	Modbus-RTU	●	6P: 98mm×108mm×65mm	

Note: 1P2W: Single phase two wire, 3P3W: Three phase three wire, 3P4W: Three phase four wire
 DC: Direct connection, CT: Current transformer
 / indicates this function is not available
 ● indicates this function is available